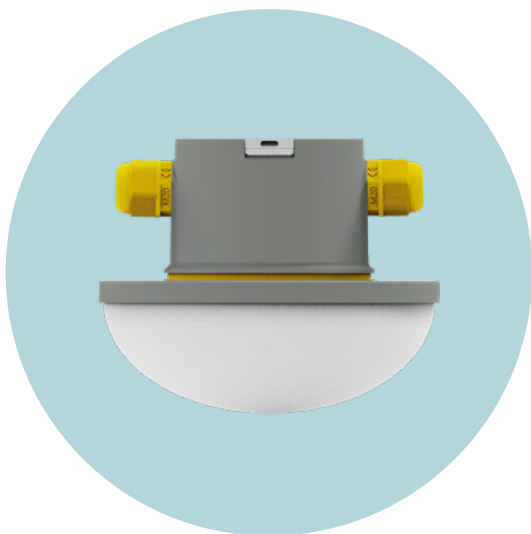


# CORAX

Building on its proven success, the CORAX is now specially adapted to meet the specific needs of turkey environments. This advanced lighting solution enhances bird welfare, optimizes productivity, and delivers the top-quality standards that have made CORAX a global benchmark in poultry lighting.



## Specifications

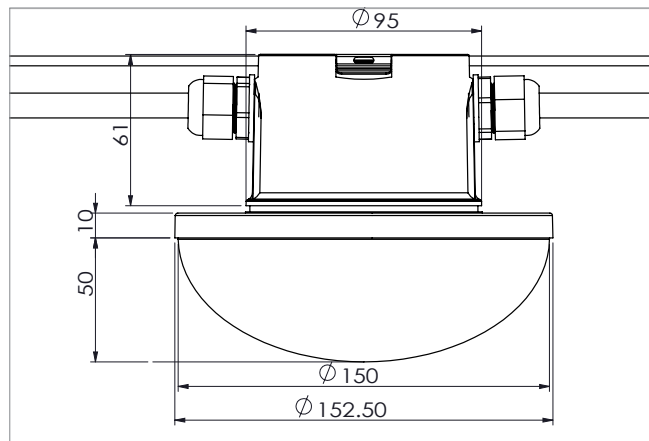
Operating voltage:	48VDC
Connection:	HATO 48VDC power supply
Light source:	LED
Dimmer type:	Yes
Flicker-free:	0 - 100%
Dim range:	80
CRI	50,000h
Expected average lifetime:	-10°C (14°F) <Ta< +40°C (104°F)
Operating temperature:	-25°C (-13°F) <Ta< +80°C (176°F)
Storage temperature:	375 gr / 0.83 lbs
Base material:	ABS
Cover material:	MMA
IP	67
Warranty:	8 Years*
Application:	Turkey

Barcode:	Power consumption:	Light output:	Efficacy:	Maximum numbers of lamps in one line:	Light colour:	Made in:	Energy label
7812	14.2W	2000lm	141lm/w	See Installation details below	5000K	China	

\* Ask your sales representative for the product specific warranty terms and conditions.

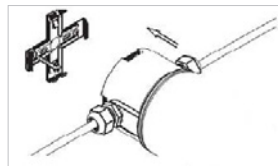
# CORAX

## Dimensions

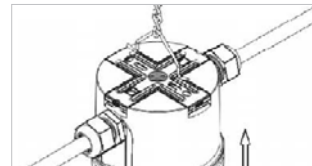


## Accessories incl.

Clip + triangle for pendant mounting:  
Maximum diameter of steel cable is 3.5 mm / 0.14 inch



Pendant mounting



Cable mounting

## Packaging information

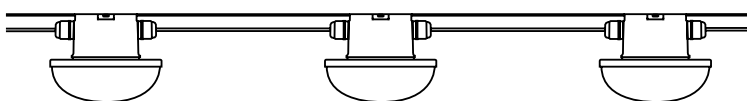
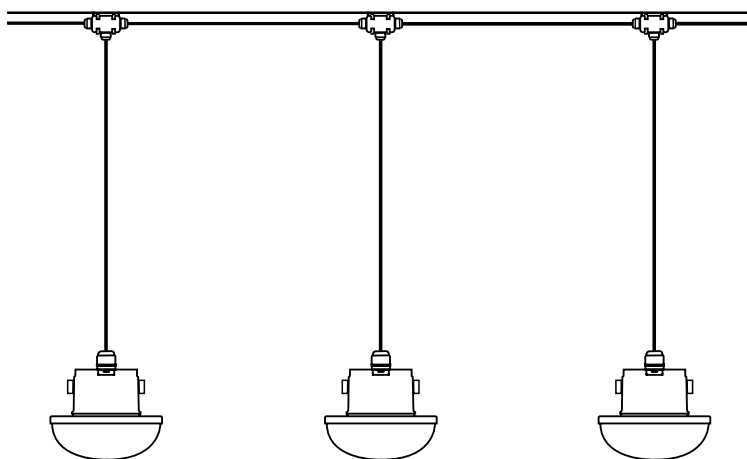
**Box size (LxHxW):** 59 x 48 x 52cm

**Number of units per box:** 48

**Neto weight of box:** 14kg

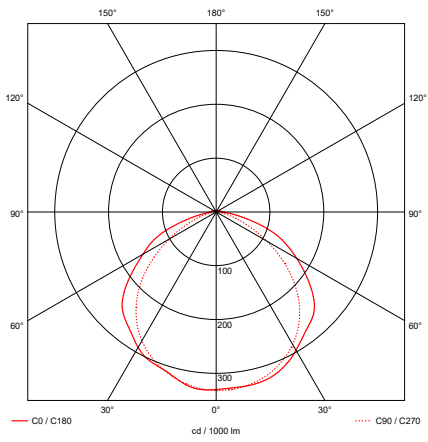
## Pre-wire (14AWG)

Pre-wiring is possible for CORAX installations. This means we connect all the cables exactly as defined in the light plan. The only thing you have to do is hang the lamps at the right place and connect them to the power supply. Scan QR code for more information.

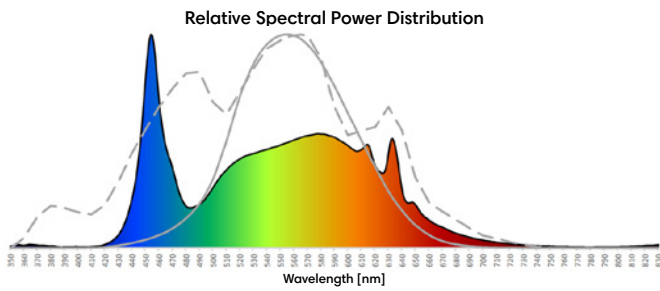


# CORAX

## Light spread



## Spectrum



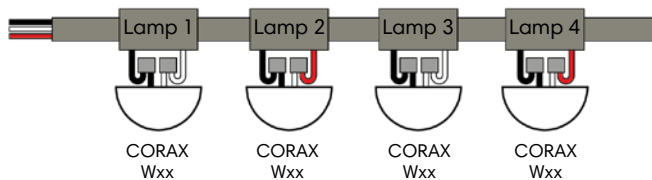
Cool white = 5000K

## Installation example

### Connection in string

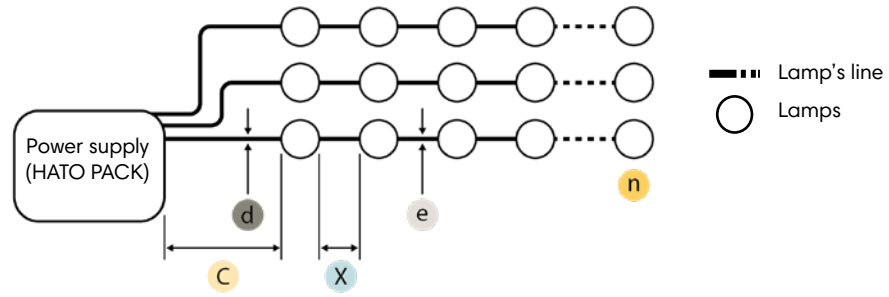
#### Extra V+ wire

CORAX - Wxx with 3 pole cable



- Red wire : V+1 white
- White wire: V+2 white
- Black wire: V-shared

# CORAX



## Installation Details for Europe

Maximum lamps in one line  
(6A Smart fuse, IEC/CE)

Distance between lamps	Cable between lamps				e
	2x 2.5mm <sup>2</sup>	3x 2.5mm <sup>2</sup>	4x 2.5mm <sup>2</sup>	5x 2.5mm <sup>2</sup>	
Fuse outputs used	1	2	3	4	
X	3m / 9.8ft	16	19	21	23
	3.5m / 11.5ft	15	18	20	22
	4m / 13.1ft	14	17	19	21
	4.5m / 14.8ft	14	16	18	20
	5m / 16.4ft	13	15	17	19

Max length connection cable  
[m / ft]

Cable thickness	Max length connection cable [m / ft]				c
	2.5mm <sup>2</sup>	4mm <sup>2</sup>	6mm <sup>2</sup>		
d	2.5mm <sup>2</sup>	17 m 54 ft	21 m 68 ft	25 m 82 ft	29 m 94 ft
	4mm <sup>2</sup>	27 m 87 ft	34 m 109 ft	40 m 132 ft	46 m 150 ft
	6mm <sup>2</sup>	40 m 130 ft	50 m 163 ft	60 m 197 ft	69 m 225 ft

## Installation Details for North America

Maximum lamps in one line  
(2A smart E fuse, UL/CSA)

Distance between lamps	Cable between lamps				e
	2 x 14 AWG	3 x 14 AWG	4 x 14 AWG	5 x 14 AWG	
Fuse outputs used	1	2	3	4	
X	3m / 9.8ft	6	14	20	21
	3.5m / 11.5ft	6	15	19	20
	4m / 13.1ft	7	15	18	19
	4.5m / 14.8ft	7	15	17	19
	5m / 16.4ft	7	14	16	18

Max length connection cable  
[m / ft]

Cable thickness	Max length connection cable [m / ft]				c
	14 AWG	12 AWG	10 AWG		
d	14 AWG	29 m 93 ft	22 m 70 ft	23 m 73 ft	26 m 86 ft
	12 AWG	45 m 147 ft	34 m 110 ft	36 m 115 ft	42 m 136 ft
	10 AWG	71 m 233 ft	54 m 175 ft	56 m 183 ft	66 m 216 ft

## Markings



\* Protection test against penetration of water IPX7  
(protected against the effect of immersion between 15cm and 1m)