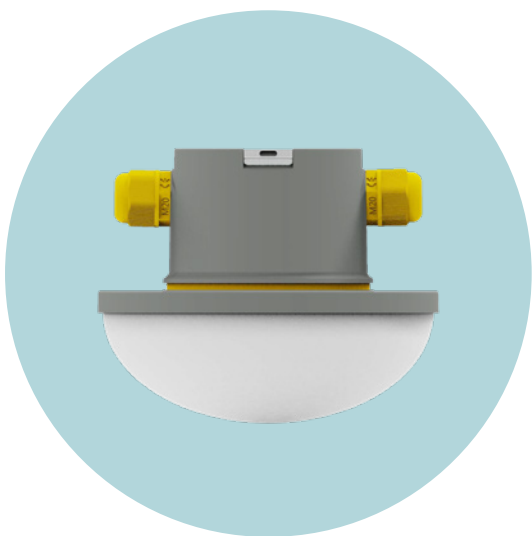


CORAX

As confirmed by many users worldwide, the CORAX is the standard for today's poultry lighting applications. It is a main lighting solution that can be applied in almost every type of poultry house.



Specifications

Operating voltage	48VDC
Dimmer type	HATO 48VDC power supply
Dim range	0 - 100%
Light source	LED
Flicker-free	Yes
Expected average lifetime white LEDs	50,000h
Operating temperature	-10°C (14°F) <Ta< +40°C (104°F)
Nett weight	375 gr / 0.83 lbs
Cover material	Impact resistant PMMA
Base material	ABS
Warranty	8 Years*
Application	Poultry

Type	Power Consumption	Light output	Efficacy	Light colour (CCT)	CRI	Energy Class	Made in
CORAX	8.7W	1050lm	121lm/W	3000K	> 80		China / NL ¹
CORAX CW	8.7W	1110lm	128lm/W	4500K	> 80		China ²
CORAX DDS**	warm white: 9.7W*** cold white: 9.7W***	warm white: 1050lm cold white: 1110lm	warm white: 108lm/W cold white: 114lm/W	warm white: 2500K cold white: 6700K	> 80		China ²
CORAX XL	15.4W	1750lm	112lm/W	3000K	> 80		China / NL ¹

* Ask your sales representative for the product specific warranty terms and conditions.

** Limit power to max 15W when mixing colours

*** Includes UV-A LED

¹ The corresponding documents CVO and EUR1 are available on request

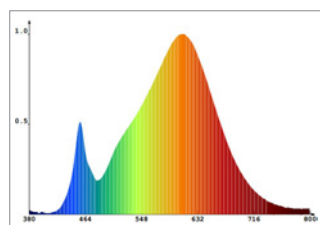
² Made in NL also available on request.

CORAX

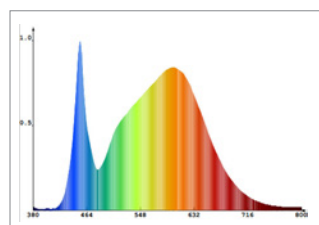
Colour options	Power consumption	Light output	Efficacy	Dominant wavelength
Blue	3W 6W	40lm 80lm	13.3lm/W	463nm
Red	3W 6W	163.5lm 327lm	54.5lm/W	620nm

Spectrum

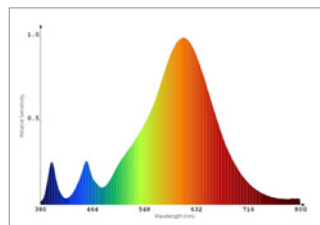
Measured with the HATO ONE spectrum meter



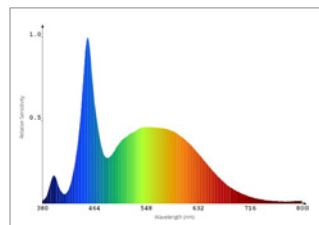
CORAX



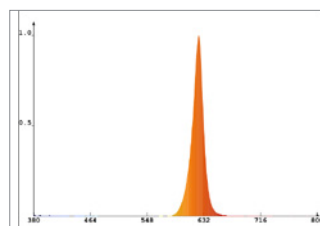
CORAX - coldwhite



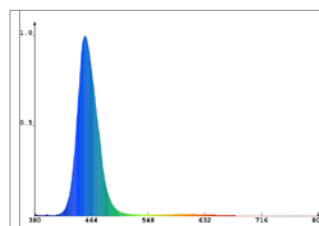
CORAX DDS - warmwhite



CORAX DDS - coldwhite

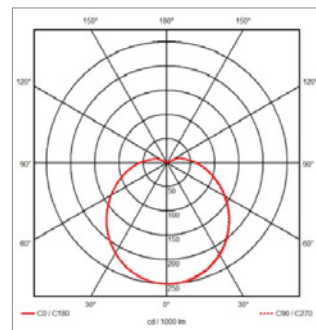


Red



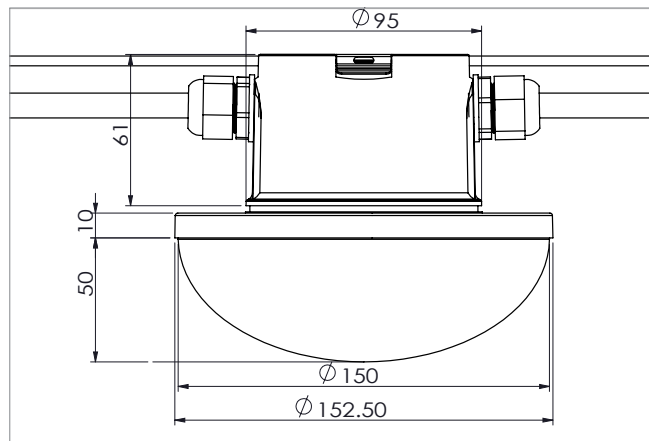
Blue

Light spread



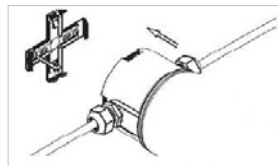
CORAX

Dimensions



Accessories incl.

Clip + triangle for pendant mounting:
Maximum diameter of steel cable is 3.5 mm / 0.14 inch



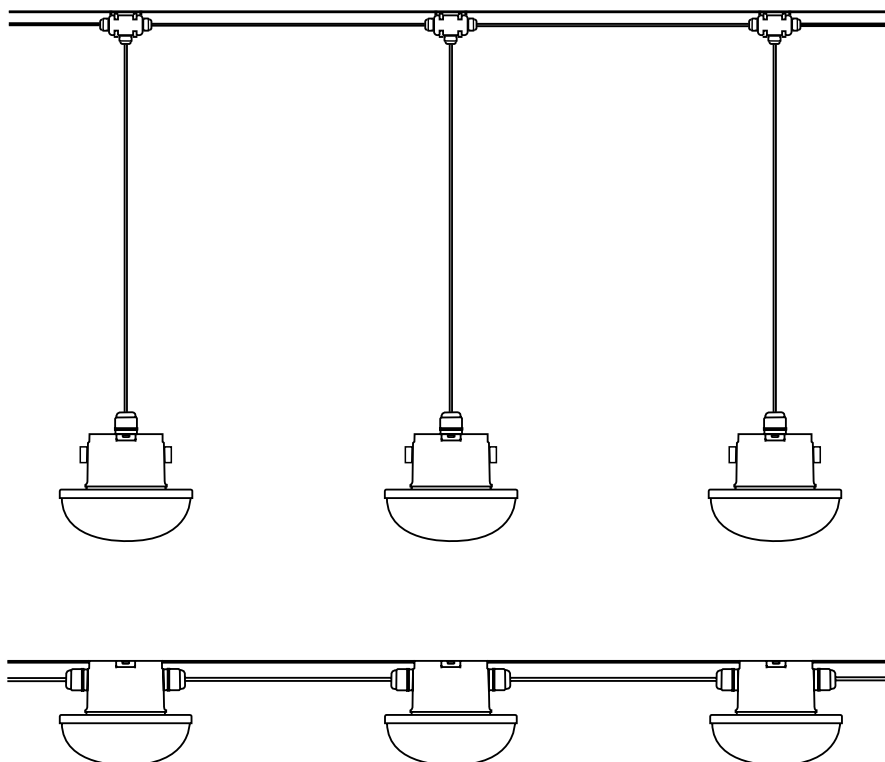
Pendant mounting



Cable mounting

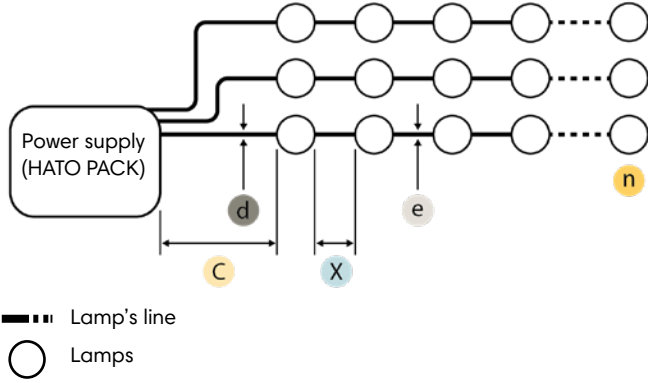
Pre-wire (2.5 mm²)

Pre-wiring is possible for CORAX installations. This means we connect all the cables exactly as defined in the light plan. The only thing you have to do is hang the lamps at the right place and connect them to the power supply. Scan QR code for more information.



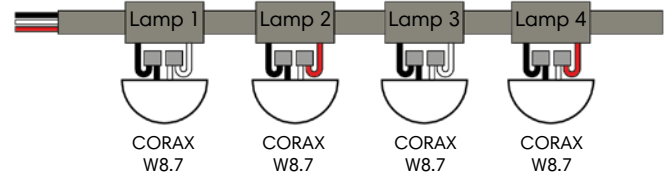
CORAX

Installation example



Connection in string Extra V+wire

CORAX - W8.7 with 3 pole cable



- Red wire : V+1 white
- White wire: V+2 white
- Black wire: V-shared

Installation according to IEC/CE with T3.15A fuse in HATO PACK

Maximum lamps in one line (T3.15A fuse, IEC/CE)

Cable between lamps	CORAX-W8.7 CORAX-x-W8.7-y				CORAX-DDS		CORAX-XL CORAX-2-W15.4-x				CORAX-3- W8.7-R6		CORAX-4- W8.7-x		
	2 x 2.5mm ²	3 x 2.5mm ²	4 x 2.5mm ²	5 x 2.5mm ²	3 x 2.5mm ²	5 x 2.5mm ²	2 x 2.5mm ²	3 x 2.5mm ²	4 x 2.5mm ²	5 x 2.5mm ²	3 x 2.5mm ²	4 x 2.5mm ²	4 x 2.5mm ²	5 x 2.5mm ²	
Fuse outputs used	1	2	3	4	2x1	2x2	1	2	3	4	2x1	1x2	3x1	1x2 2x1	
Distance between lamps X	3m / 9.8ft	19	25	28	31	17	24	10	18	20	21	19	25	19	25
	3.5m / 11.5ft	19	23	26	29	17	22	10	17	19	20	19	23	19	23
	4m / 13.1ft	19	22	25	27	17	21	10	16	18	19	19	22	19	22
	4.5m / 14.8ft	18	21	24	26	17	20	11	15	17	18	18	21	18	21
	5m / 16.4ft	17	20	23	25	16	19	11	14	16	18	17	20	17	20

Max length connection cable [m / ft]

Cable thickness d	Max length connection cable [m / ft]															
	2.5 mm ²	2.5 mm ²	2.5 mm ²	2.5 mm ²	2.5 mm ²	2.5 mm ²	2.5 mm ²	2.5 mm ²	2.5 mm ²	2.5 mm ²	2.5 mm ²	2.5 mm ²	2.5 mm ²	2.5 mm ²	2.5 mm ²	2.5 mm ²
2.5 mm ²	19 m 60 ft	22 m 70 ft	26 m 84 ft	30 m 96 ft	19 m 60 ft	21 m 66 ft	19 m 62 ft	17 m 56 ft	21 m 67 ft	25 m 80 ft	19 m 60 ft	22 m 70 ft	19 m 60 ft	22 m 70 ft		
4 mm ²	29 m 95 ft	34 m 110 ft	41 m 134 ft	47 m 153 ft	29 m 95 ft	32 m 105 ft	30 m 98 ft	27 m 88 ft	33 m 107 ft	39 m 127 ft	29 m 95 ft	34 m 110 ft	29 m 85 ft	34 m 110 ft		
6 mm ²	46 m 151 ft	54 m 175 ft	65 m 212 ft	74 m 243 ft	46 m 151 ft	51 m 167 ft	48 m 156 ft	43 m 140 ft	52 m 170 ft	62 m 201 ft	46 m 151 ft	54 m 175 ft	46 m 151 ft	54 m 175 ft		

Installation according to UL/CSA with F1.6A fuse in HATO PACK

Maximum lamps in one line with 2x2.5mm² (14AWG) cable

Cable between lamps	CORAX-W8.7 CORAX-x-W8.7-y				CORAX-DDS		CORAX-XL CORAX-2-W15.4-x				CORAX-3- W8.7-R6		CORAX-4- W8.7-x		
	2 x 14 AWG	3 x 14 AWG	4 x 14 AWG	5 x 14 AWG	3 x 14 AWG	5 x 14 AWG	2 x 14 AWG	3 x 14 AWG	4 x 14 AWG	5 x 14 AWG	3 x 14 AWG	5 x 14 AWG	4 x 14 AWG	5 x 14 AWG	
Fuse outputs used	1	2	3	4	2x1	2x2	1	2	3	4	2x1	2x2	3x1	1x2 2x1	
Distance between lamps	3m / 9.8ft	9	18	27	31	8	16	5	10	15	20	9	18	9	18
	3.5m / 11.5ft	9	18	27	29	8	16	5	10	15	20	9	18	9	18
	4m / 13.1ft	9	18	25	28	8	16	5	10	15	19	9	18	9	18
	4.5m / 14.8ft	9	20	24	26	8	16	5	10	15	18	9	20	9	20
	5m / 16.4ft	9	20	23	25	8	18	5	10	15	18	9	20	9	20

Max length connection cable [m / ft]

Cable thickness	14 AWG	12 AWG	10 AWG	14 AWG	12 AWG	10 AWG	14 AWG	12 AWG	10 AWG	14 AWG	12 AWG	10 AWG	14 AWG	12 AWG	10 AWG
36 m 116 ft	29 m 93 ft	27 m 86 ft	30 m 96 ft	36 m 116 ft	29 m 93 ft	36 m 116 ft	29 m 93 ft	36 m 116 ft	29 m 93 ft	26 m 84 ft	26 m 83 ft	36 m 116 ft	29 m 93 ft	36 m 116 ft	29 m 93 ft
56 m 184 ft	45 m 147 ft	42 m 137 ft	47 m 153 ft	56 m 184 ft	45 m 147 ft	56 m 184 ft	45 m 147 ft	56 m 184 ft	45 m 147 ft	41 m 134 ft	40 m 131 ft	56 m 184 ft	45 m 147 ft	56 m 184 ft	45 m 147 ft
89m 291 ft	71 m 233 ft	66 m 217 ft	74 m 243 ft	89m 291 ft	71 m 233 ft	89m 291 ft	71 m 233 ft	89m 291 ft	71 m 233 ft	65 m 212 ft	64 m 208 ft	89m 291 ft	71 m 233 ft	89m 291 ft	71 m 233 ft

Markings



* Protection test against penetration of water IPX7
(protected against the effect of immersion between 15cm and 1m)