

STERNA

The STERNA is a one of its kind lighting solution that has been especially designed for cage systems. Thanks to its coated surfaces, the STERNA is able to realise higher animal comfort.
STERNA: a solid long-term investment.



Specifications

Operating voltage:	48VDC
Dimmer type:	HATO 48VDC power supply
Dim range:	0 - 100%
Light source:	LED
Power consumption:	7.1W
Light output:	940 lumen
Efficacy:	132lm/W
Light colour:	3000K
CRI:	>80
Flicker-free:	yes
Expected average lifetime*:	50,000h
Operating temp.:	-10°C (14°F) < Ta < +40°C (104°F)
Nett weight:	230 gr / 0.5 lbs
Cover:	Impact resistant PMMA
Base:	ABS
Warranty:	8 Years**
Application:	H-cage housing

Connection



T-connector
(+ integrated cable)



Dir-Connector



Junction Box

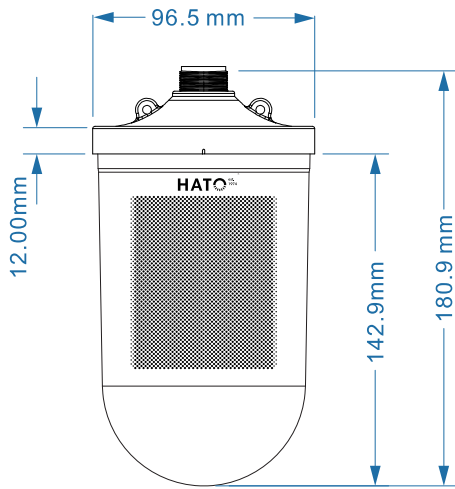
Standard cable length options: 4, 150 or 250 cm.
Other lengths upon request.

* Lifetime definition & measurement available upon request

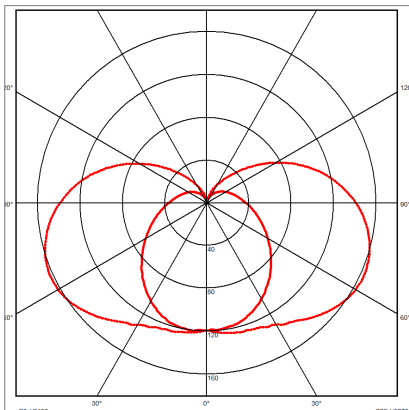
** Ask your sales representative for the product specific warranty terms and conditions.

STERNA

Dimensions

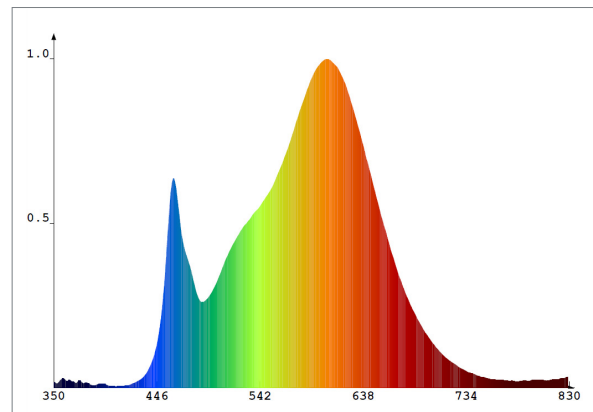


Light Spread

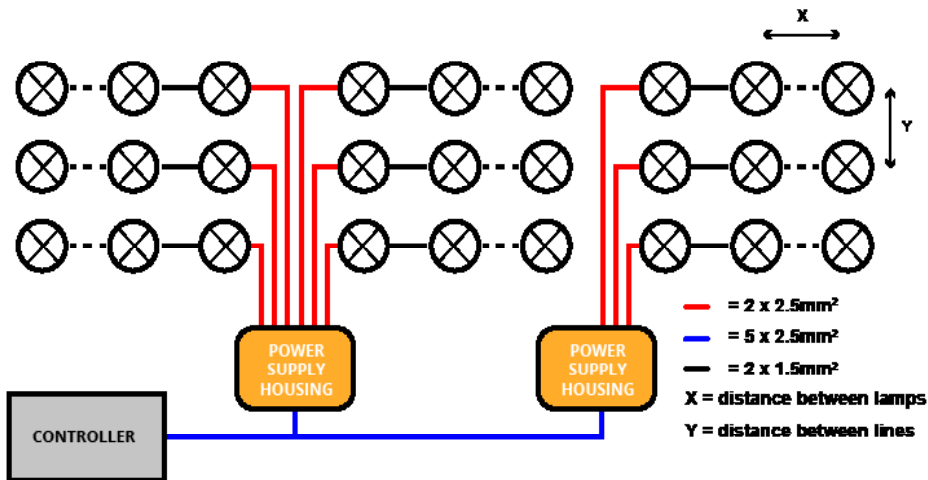


Spectrum

Measured with the HATO ONE spectrum meter



Installation example



STERNA

Installation according to IEC/CE with T3.15A fuse in HATO PACK

Cable	Distance (x) between lights	Lights in a row
2 x 1.5mm ²	2.4m / 7.8ft	23
	3.6m / 11.8ft	19
	4.8m / 15.7ft	17
2 x 2.5mm ²	2.4m / 7.8ft	24
	3.6m / 11.8ft	24
	4.8m / 15.7ft	21

Cable thickness	Max length connection cable
2x 2.5mm ²	22m / 71ft
2x 4mm ²	35m / 113ft
4x 2.5mm ²	86m / 281ft

Specifications are subject to change without prior notice

Markings



* Protection test against penetration of water IPX7
(protected against the effect of immersion between 15cm and 1m)

In case of discrepancy, the English version shall prevail